

Features

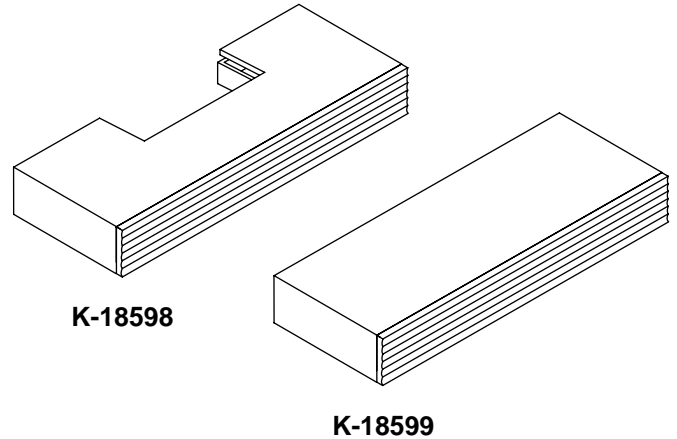
- Catalyzed polyurethane finish
- Wenge veneers
- Includes wall-mount brackets
- Available with or without lavatory cutout
- Complements the Escale Suite
- 48" (121.9 cm) x 18" (45.7 cm) x 7" (17.8 cm)

VANITY
K-18598
 ALSO K-18599

Codes/Standards Applicable

Specified model meets or exceeds the following:

- None applicable



Colors/Finishes

- F29: Wenge

Accessories:

- 0: White
- 47: Almond
- 96: Biscuit

Specified Model

Model	Description	Colors/Finishes
K-18598	Vanity, 48" (121.9 cm) length - with cutout for K-19034-1 lavatory	<input type="checkbox"/> F29
K-18599	Vanity, 48" (121.9 cm) length - without cutout	<input type="checkbox"/> F29
Required Accessory		
K-19034-1	Countertop lavatory, single-hole - for K-18598 vanity only	<input type="checkbox"/> 0 <input type="checkbox"/> 47 <input type="checkbox"/> 96
Recommended Accessories		
K-18595	Mirror	<input type="checkbox"/> F29
K-18596	Sitting bench	<input type="checkbox"/> F29
Optional Accessory		
1053559	Touch-up marker	<input type="checkbox"/> F29

Product Specification

The vanity shall be 48" (121.9 cm) in length, 18" (45.7 cm) in width, and 7" (17.8 cm) in height. Vanity shall be made of wenge veneers with a catalyzed polyurethane finish. Vanity shall include wall-mount brackets. Vanity shall be available with or without cutout. Vanity shall complement the Escale Suite. Vanity shall be Kohler Model K-____-____.

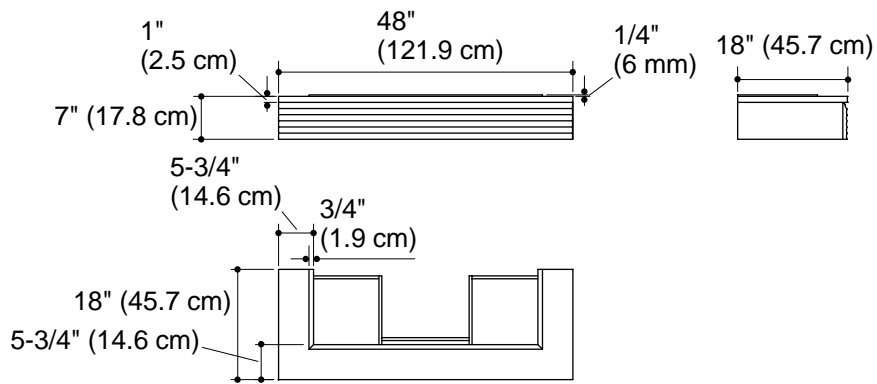
ESCALE™

Technical Information

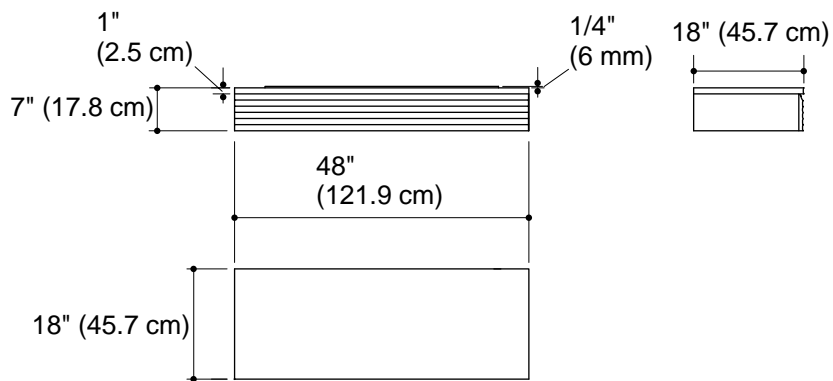
Included components:	
Bracket, left	1052874
Bracket, right	1052875

Installation Notes

Install this product according to the installation guide.



K-18598



K-18599

Product Diagram